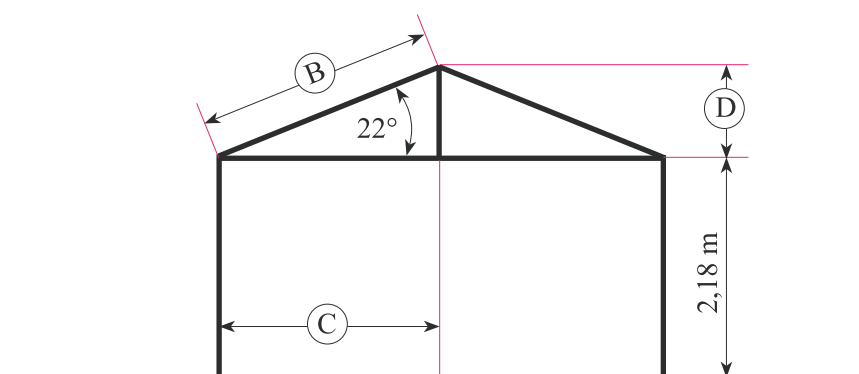
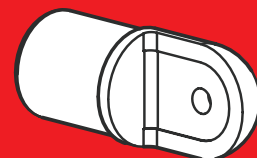


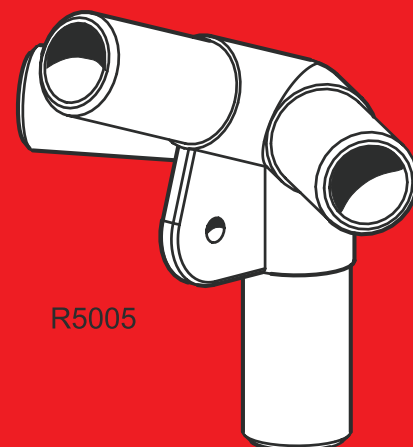
Bestell-Nr.	Brutto
R5007A	5,43 €
R5005	28,44 €
R5006	19,97 €
C45	21,16 €
R5031	9,78 €
CR50	3,81 €
PA01	21,68 €
Ta50 Stahl pro lfm	7,90 €
alle Preise zzgl. MwSt.	



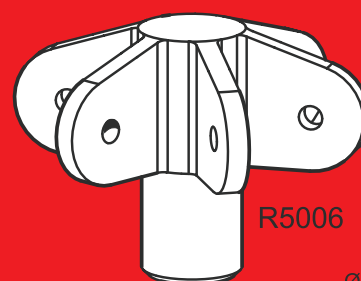
Dia	X	A	B	C	D	Surf.
4,65 m	4,00 m	2,190 m	2,310 m	2,088 m	0,900 m	13,62m ²
5,20 m	4,50 m	2,488 m	2,620 m	2,386 m	1,015 m	17,40 m ²
5,78 m	5,00 m	2,776 m	2,932 m	2,674 m	1,130 m	21,49 m ²
6,35 m	5,50 m	3,065 m	3,243 m	2,963 m	1,248 m	26,02 m ²
6,93 m	6,00 m	3,354 m	3,555 m	3,252 m	1,365 m	31,00 m ²
7,50 m	6,50 m	3,643 m	3,867 m	3,540 m	1,481 m	36,40 m ²
8,08 m	7,00 m	3,930 m	4,177 m	3,835 m	1,598 m	42,19 m ²
8,66 m	7,50 m	4,220 m	4,490 m	4,118 m	1,714 m	48,49 m ²
9,24 m	8,00 m	4,510 m	4,802 m	4,408 m	1,866 m	55,21 m ²
9,82 m	8,50 m	4,787 m	5,112 m	4,695 m	1,947 m	62,30 m ²
10,40 m	9,00 m	5,086 m	5,423 m	4,984 m	2,064 m	69,87 m ²
10,90 m	9,50 m	5,375 m	5,735 m	5,273 m	2,181 m	77,88 m ²



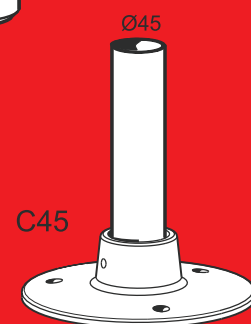
R5007A



R5005



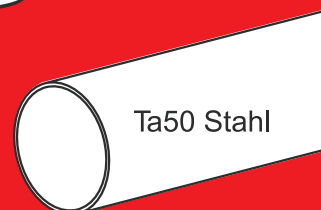
R5006



C45



R5031



Ta50 Stahl



CR50